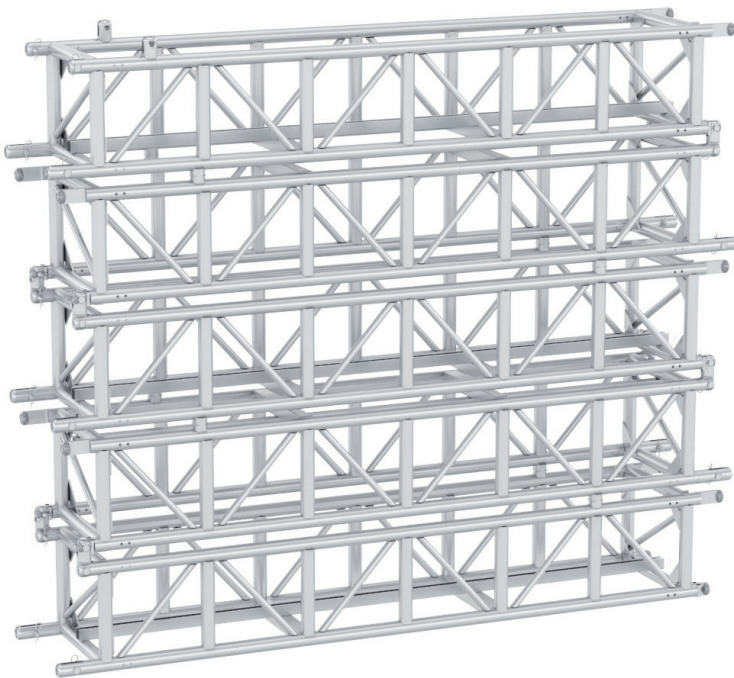
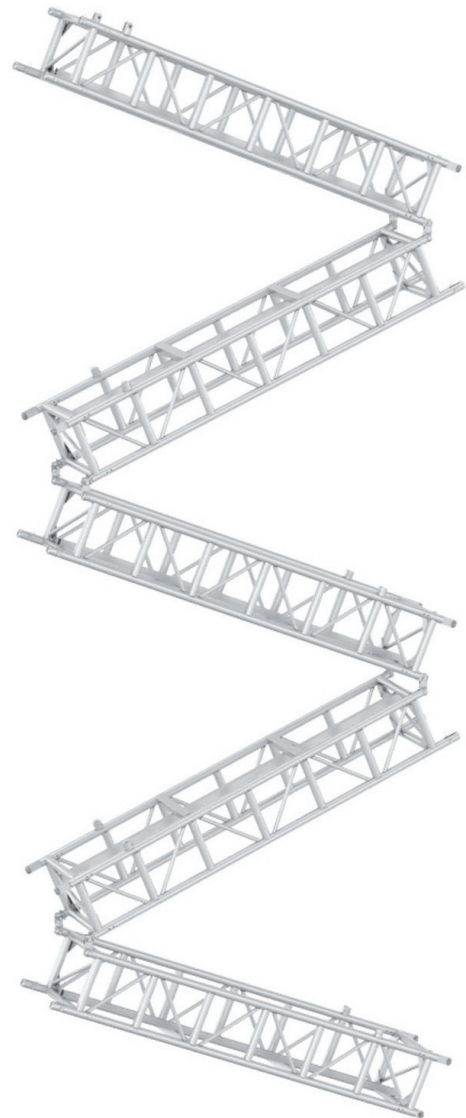
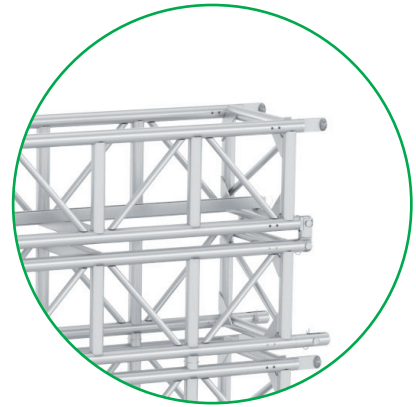


Zig-Zag Truss

16 x 20.5 Zig Zag Truss

TOMCAT Zig-Zag Truss combines aspects of Pre-Rigged Truss, efficient truck packing, and speedy load-in/load-out by utilizing a hinging spigot design that allows the truss system to fold over itself for storage/travel and unfolds via vertical lift and pinning applications. Zig-Zag Truss can be used in both vertical and horizontal lighting applications.



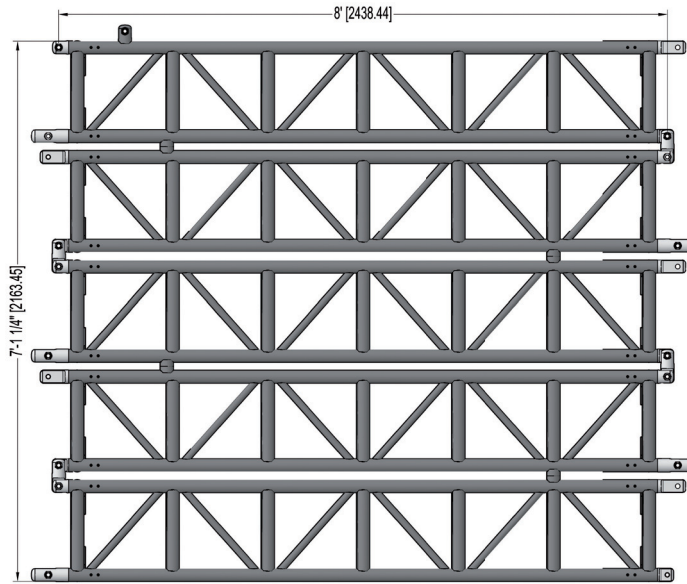
TOMCAT USA, Inc.
5427 N. National Dr.
Knoxville, TN 37914

950 Lawrence Dr., Suite B
Thousand Oaks, CA 91320

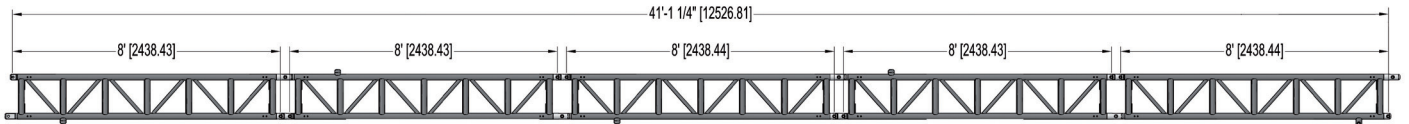
T +1 (865) 219-3700
sales@tomcatusa.com
www.tomcatglobal.com



New Zig-Zag Truss



Stacked view



Side view

Technical specifications:

Zig-Zag Truss

Chords	2"Øx3/16" TUBE
Horizontals (small)	1 1/2"Øx1/8" TUBE
Horizontals (large)	2"Øx1/8" TUBE
Verticals	2"Øx1/8" TUBE
Diagonals	1"Øx1/8" TUBE
Spigots	STEEL SPIGOTS
End plates	PL1/4"
Studs	2"Ø ROUND



TOMCAT USA, Inc.
5427 N. National Dr.
Knoxville, TN 37914

950 Lawrence Dr., Suite B
Thousand Oaks, CA 91320

T +1 (865) 219-3700
sales@tomcatusa.com
www.tomcatglobal.com

