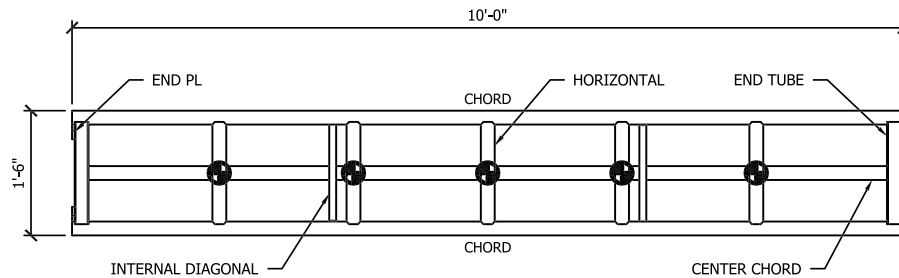
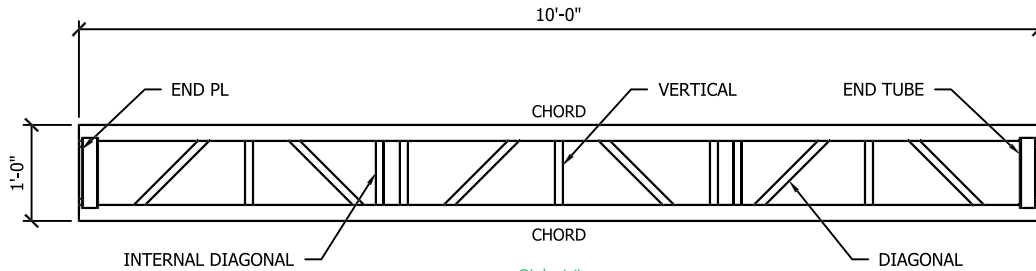


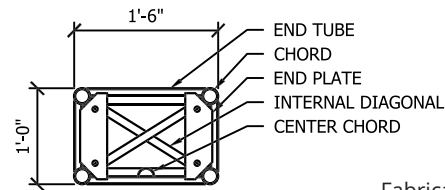
Box Truss 12" x 18" Plated Center Chord Truss



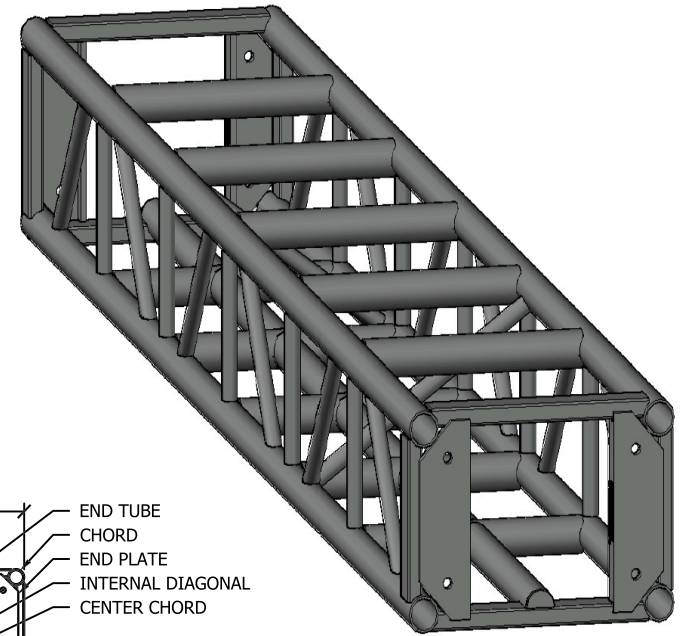
Top View



Side View



End View



Fabricated by certified welders from 6061-T6 or 6082-T6 Aluminum. Made in the USA and Europe.

STANDARD LENGTHS

LENGTH	ITEM CODE	WEIGHT	
		LBS	KGS
5'	TC 1218-060BCC	44	20
8'	TC 1218-096BCC	64	29
10'	TC 1218-120BCC	76	34.5

- Four (4) connection sets are included.
- Custom truss lengths are available.
- Truss is supplied in brushed natural aluminum finish as standard with powder coated options upon request.



For a copy of the TOMCAT truss user manual or for help in performing your truss inspections please e-mail sales@tomcatusa.com.



Box Truss 12" x 18" Plated Center Chord Truss



Maximum Allowable Loading (Deflection Limited to L/100)

SIMPLE SPAN (DISTANCE BETWEEN SUPPORTS)		UNIFORMLY DISTRIBUTED LOAD			MAXIMUM ALLOWABLE LOAD PER POINT								
					CENTER POINT LOAD		THIRD POINT LOAD		QUARTER POINT LOAD		FIFTH POINT LOAD		CENTER CHORD LOAD
		LOAD	TOTAL LOAD	DEFLECTION	LOAD	DEFLECTION	LOAD	DEFLECTION	LOAD	DEFLECTION	LOAD	DEFLECTION	LOAD
FEET	METERS	LBS/FT	LBS	INCHES	LBS	INCHES	LBS	INCHES	LBS	INCHES	LBS	INCHES	LBS
10	3	444	4440	0.13	2221	0.11	1666	0.14	1111	0.13	925	0.14	635
20	6.1	107	2140	0.54	1072	0.44	804	0.56	536	0.51	447	0.54	170
30	9.1	45	1350	1.23	671	1.02	503	1.26	336	1.18	280	1.23	70
40	12.2	23	923	2.21	458	1.87	344	2.27	229	2.14	191	2.22	34
50	15.2	13	650	3.51	320	3.05	240	3.60	160	3.42	133	3.53	21

Allowable Loading Guidelines

- The truss is designed with two faces of diagonal bracing. The truss was reviewed for load in one direction only, assumed to be parallel in orientation to the diagonal braces located on the opposite two faces of the module or span. If loads are applied in multiple axes, then the loading shall be approved by a qualified person.
- The truss was analyzed as a static simple span beam. The span lengths shown in the table should be the distance between supports, assumed to be at each end of the span. Any usage outside of this scope, cantilevers, dynamic loads, indeterminate structures, etc. shall be approved by a qualified person.
- The maximum span length shown in the table should not be exceeded without approval by a qualified person.
- All loads and supports shall be located at a panel point within the truss.
- The truss was analyzed assuming that the loads were applied at the centroid of the truss so as to not induce twisting or torsion. Unbalanced or off-center loading scenarios shall be approved by a qualified person.
- The self-weight of the truss has already been removed from the allowable loading data.
- Allowable loads based on the 2020 Aluminum Design Manual.
- The deflection shown in the table is theoretical, actual deflection measurements can vary.
- The allowable loading has been reduced to limit deflection to L/100, where L equals the simple span length. Please contact TOMCAT for L/180 and non-deflection-limited loading data.
- Simple span lengths are assumed to be constructed from the minimum number of truss modules 10ft long or less. For example, a 35ft simple span is assumed to be made from 3 x 10ft sections & 1 x 5ft section of truss.
- The allowable loading has not been reduced for repetitive use as per ANSI E1.2 – 2021. Please reduce by a factor of 0.85 if required.
- Please consult the appropriate TOMCAT truss user manual before use. Please contact TOMCAT should you require a copy.
- The load tables are reprinted from engineering reports developed by Clark Reder Engineering, Inc., dated June 21, 2024.