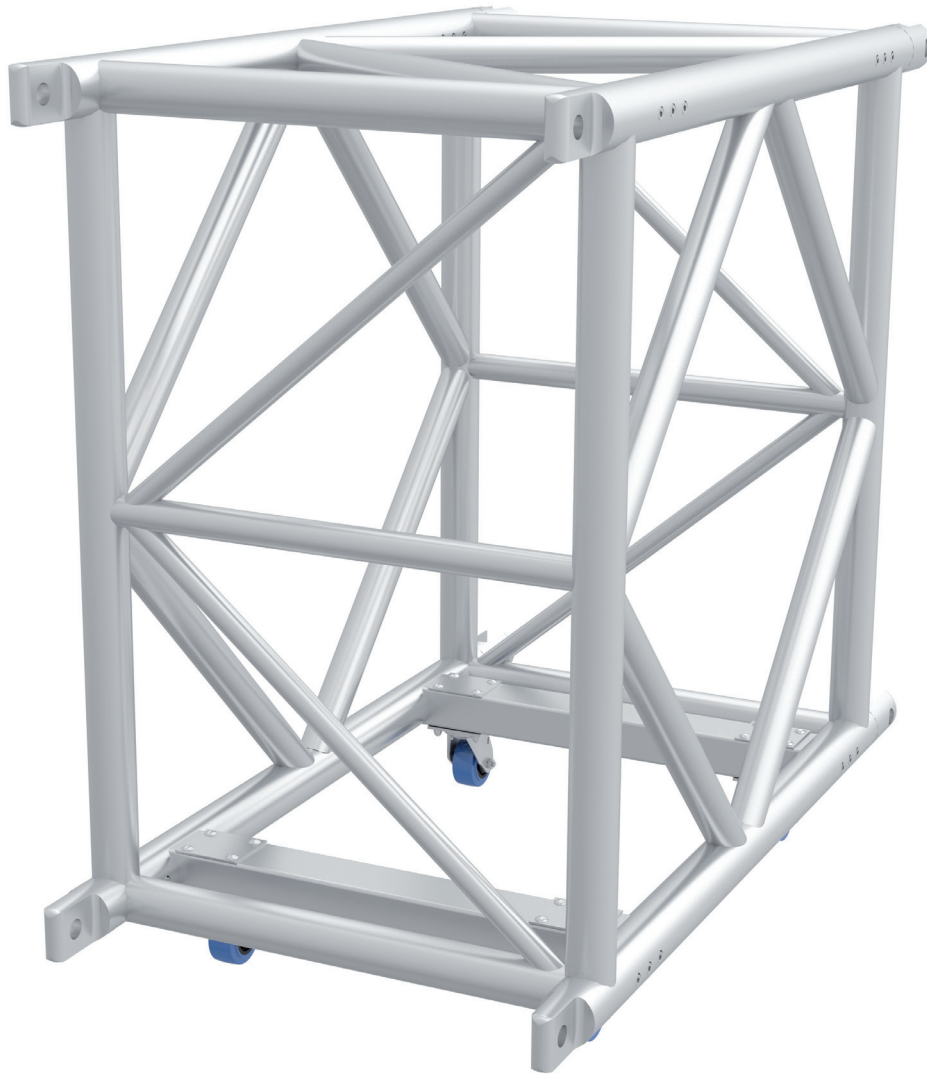


Go to the extreme!

Experience the largest and highest capacity truss TOMCAT has ever offered as a standard product...and with a new dimensional size! Our new Extreme Duty 54 x 36 spigoted truss has your big, demanding events covered with 2.5 times more loading capacity on a 80' truss span than the previous strongest truss in our range, the Extra Heavy Duty truss series.



- › 3-1/2" x 1/4" main chords with 2-1/2" x 1/8" diagonal braces
- › Maximum span of 150'
- › Casters as standard for convenient transportation
- › Constructed from 6061-T6 aluminum
- › Steel spigots



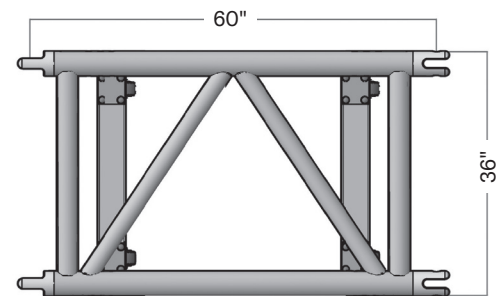
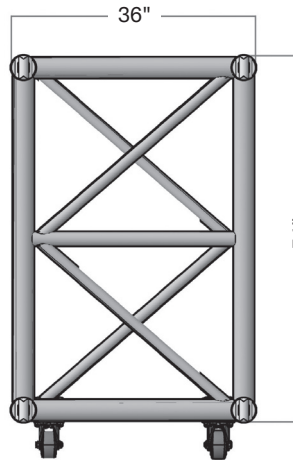
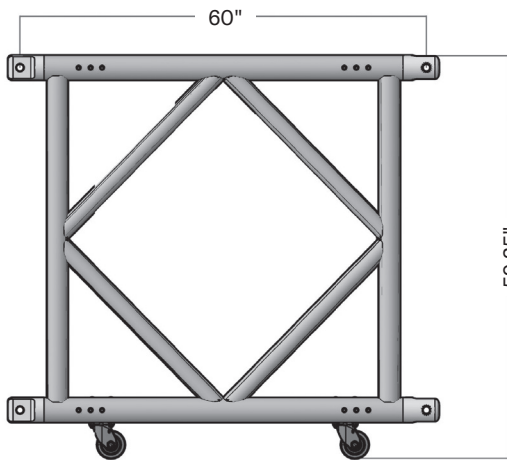
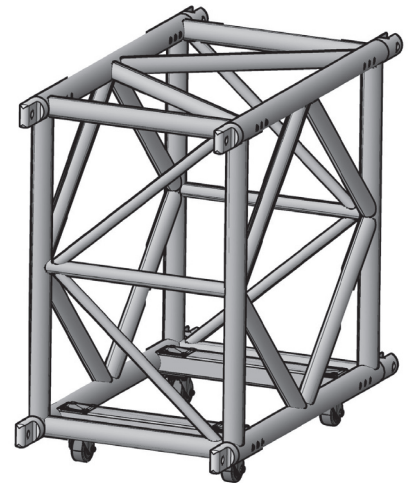
TOMCAT USA, Inc.
5427 N. National Dr.
Knoxville, TN 37914
USA

950 Lawrence Dr., Suite B
Thousand Oaks, CA 91320
USA

T +1 (865) 219-3700
sales@tomcatusa.com
www.tomcatglobal.com



Once you go extreme, you never go back!



Span feet	Maximum allowable uniform loads		Maximum allowable point loads							
	Load lbs/ft	Max Defl. in.	Center Point Load		Third Point Load		Quarter Point Load		Fifth Point Load	
			Load lbs	Max Defl. in.	Load lbs	Max Defl. in.	Load lbs	Max Defl. in.	Load lbs	Max Defl. in.
50	509	1.15	12731	0.94	9548	1.19	6365	1.11	5304	1.16
60	343	1.66	10298	1.37	7724	1.72	5149	1.60	4291	1.68
70	243	2.27	8512	1.88	6384	2.34	4256	2.19	3547	2.28
80	178	2.96	7130	2.48	5348	3.05	3565	2.86	2971	2.98
90	134	3.75	6018	3.17	4513	3.86	3009	3.63	2507	3.78
100	102	4.63	5094	3.96	3820	4.76	2547	4.49	2122	4.66
110	78	5.61	4307	4.85	3230	5.75	2154	5.45	1795	5.64
120	60	6.67	3616	5.84	2712	6.83	1808	6.50	1507	6.71
130	46	7.83	2974	6.96	2230	8.00	1487	7.65	1239	7.87
140	34	9.08	2400	8.19	1800	9.25	1200	8.90	1000	9.12
150	25	10.43	1881	9.54	1292	9.97	935	10.00	742	9.99



TOMCAT USA, Inc.
5427 N. National Dr.
Knoxville, TN 37914
USA

950 Lawrence Dr., Suite B
Thousand Oaks, CA 91320
USA

T +1 (865) 219-3700
sales@tomcatusa.com
www.tomcatglobal.com

