



# Area Four Industries

## North American Product Portfolio 2026



# Who Is Area Four Industries?

Area Four Industries is the world's largest manufacturer of aluminum trussing and staging systems, servicing our clients via our industry-leading brands:

**TOMCAT • James Thomas Engineering (JTE)  
Milos • Prolyte • EXE Technology**

Area Four Industries operates an extensive global production network via major facilities and design and distribution centers located strategically around the world to provide close support to key regions and specialist market sectors.

Our products are used in a wide range of industries and environments, from the construction of eye-catching events and productions to the largest imaginable performance stages for concerts and mega-events worldwide. Our latest range of EXE TECHNOLOGY automation products are trusted globally by the largest production companies and artists on the planet.

Whatever the project, wherever in the world, we have a solution from our brand portfolio of products within the Area Four Industries group.



---

## **TOMCAT** **4**

---

Truss | Crowd Barriers | Roofs and PA Towers | Custom Fabrication | Training

## **James Thomas Engineering (JTE)** **16**

---

Truss

## **Milos** **18**

---

Truss | Roofs, LED Screen Support Systems, & PA Towers | Cell Clamps

## **Prolyte** **22**

---

LSU Indoor LED Screen Support System | Verto Truss

## **EXE Technology** **26**

---

EXE ACE & RISE Electric Chain Hoists | EXE Dynamic Stack Tracks (DST) | EXE Flexa Wireless Load Sensing

## **A4I.tv** **31**

---

Rigging & Trussing Television



**TOMCAT** ⚡

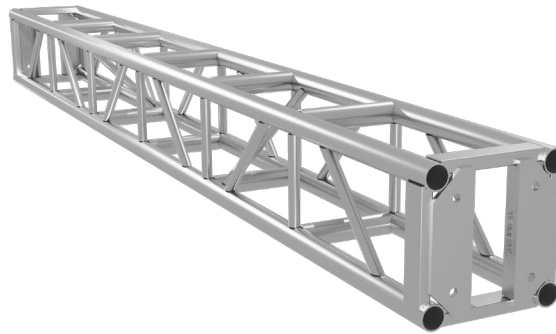


[www.tomcatglobal.com](http://www.tomcatglobal.com)

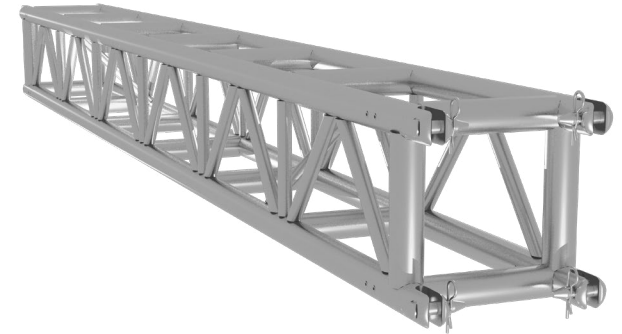
# TRUSS

The industry standard since 1987

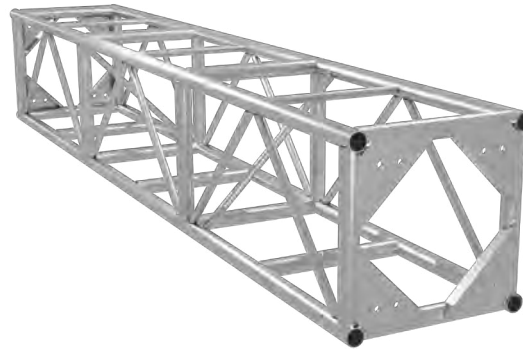
Sizes from standard 12" bolted box truss up to 54" tall spigoted truss and everything in between.



LIGHT DUTY TRUSS 12" X 12" - PLATED



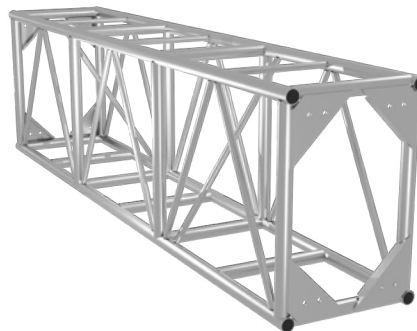
LIGHT DUTY TRUSS 12" X 12" - SPIGOTED



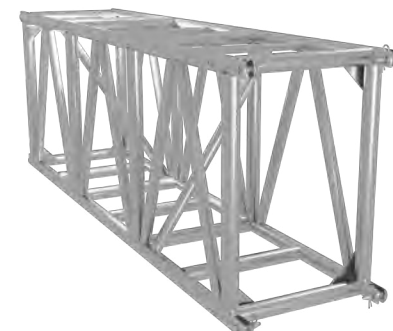
MEDIUM DUTY TRUSS 20.5" X 20.5" - PLATED



MEDIUM DUTY TRUSS 20.5" X 20.5" - SPIGOTED



HEAVY DUTY TRUSS 30" X 20.5" - PLATED

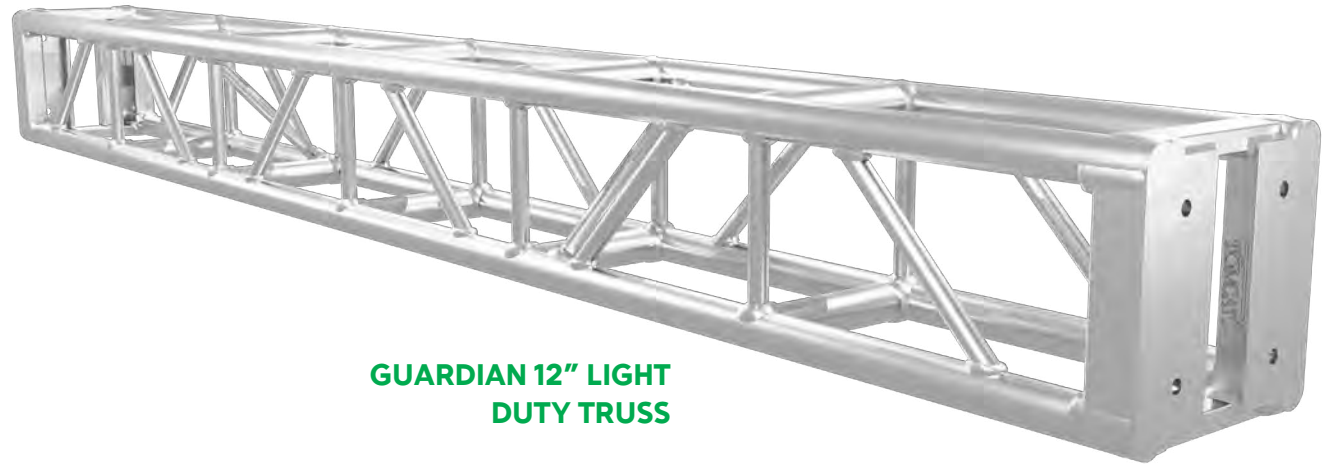


HEAVY DUTY TRUSS 30" X 20.5" - SPIGOTED

# TRUSS

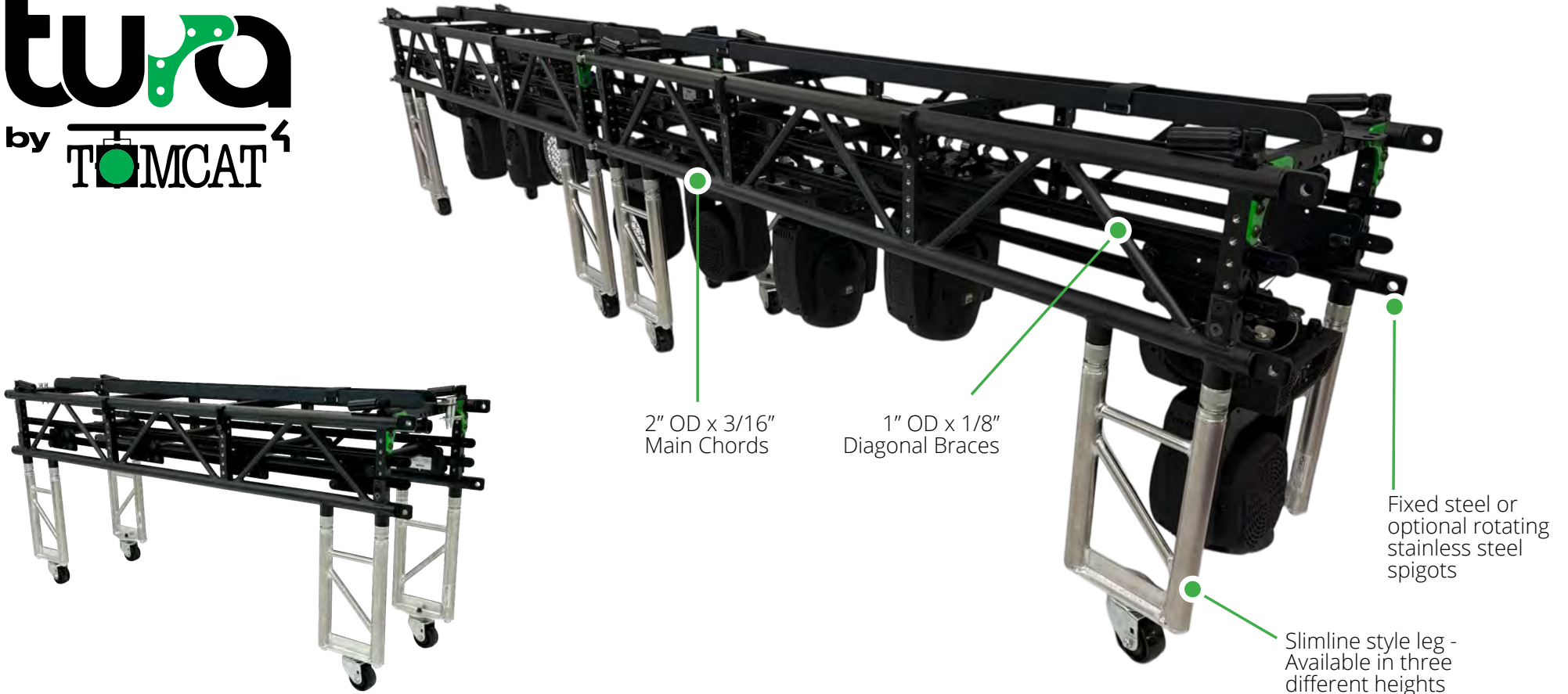
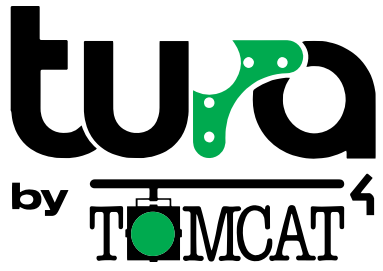
NEW!  
Guardian  
Truss  
Available  
in multiple  
sizes:

- 12" Light Duty Truss
- 12"+ Light Duty Truss
- 16" Light Duty Truss
- 16"+ Light Duty Truss
- 20.5" Medium Duty Truss



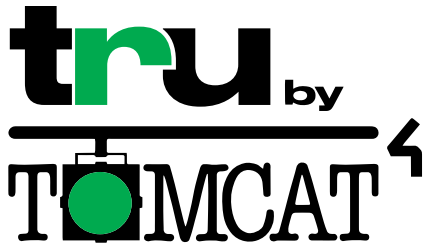
GUARDIAN 12" LIGHT  
DUTY TRUSS





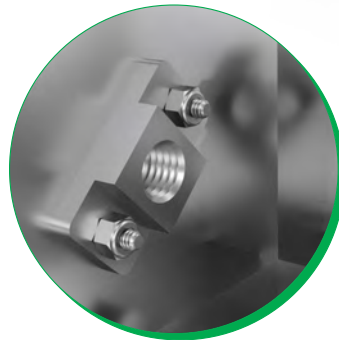
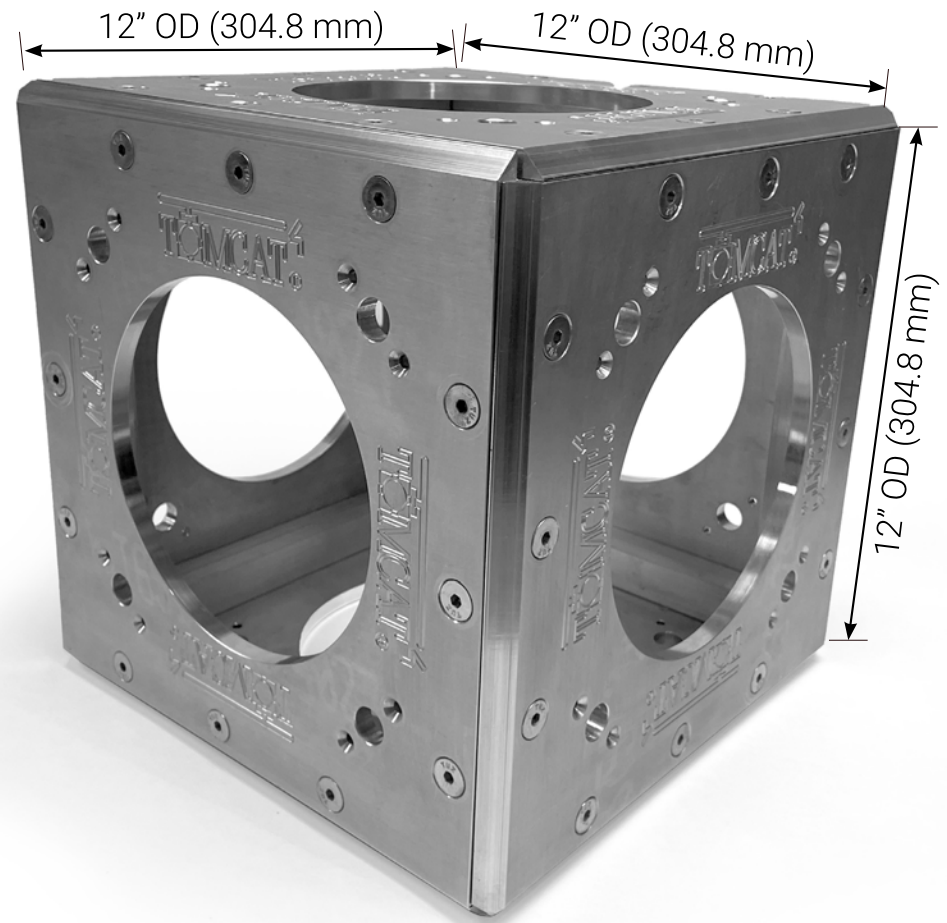
## Tura Pre-Rig Truss 14" x 24" - Spigoted

Tura provides the user with a number of features currently unavailable in other pre-rig truss. These features provide increased safety, reduced prep, assembly & disassembly time and will mean that your gear is being better utilized and working smarter.



The **tru** Corner Block is truly as strong as the truss it connects to. Unlike conventional welded corners, tru is engineered and tested to maintain the full load capacity of the truss.

The **tru** corner is compatible with all current TOMCAT and James Thomas Engineering 12" x 12" plated truss products. It comes standard as a 6-way corner and weighs only 2 lbs more than a traditional welded 6-way corner, delivering superior strength with minimal added weight.



Optional integrated nut plates



tru can be used mid-span in spans of 20ft or more without any reduction in truss load capacity



# TOMCAT DEX



TOMCAT DEX is available in a wide range of deck shapes and sizes with the most popular being the industry standard 8' x 4' (2.44 x 1.22 m). Each deck is finished with a matte black painted 11/16" (18mm) thick plywood walking surface. The plywood top can easily be user replaced, repaired and repainted in case of damage or wear. Other surface finishes are available including clear acrylic and aluminum grating..

Each deck is provided with four leg pockets to accommodate either 2" (51mm) outside diameter tubes, or 1-1/2" schedule 40 pipe (1.9"/48mm OD).

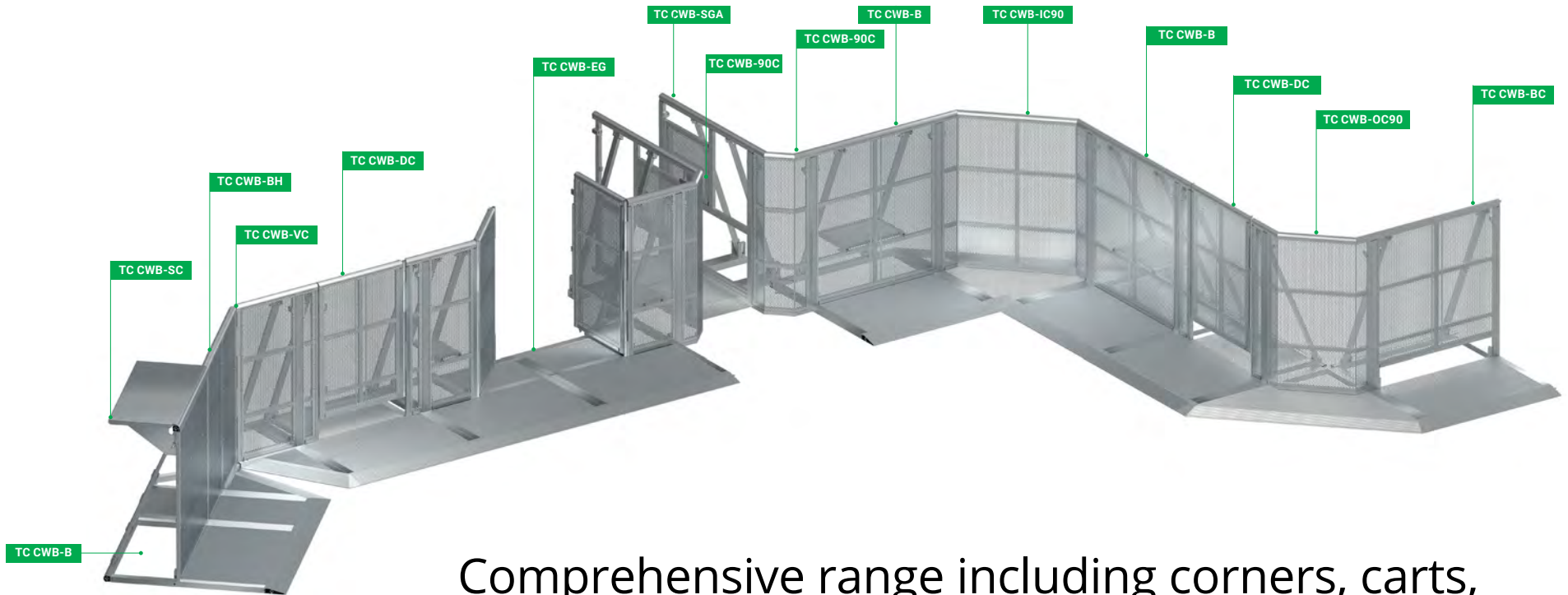
Deck to deck and deck to accessory attachments are made via simple nut and bolt connections. Multiple holes in the frame provide connectability to other deck systems.

With the 8' x 4' deck weighing only 106 lbs. it is almost 1/3 lighter than existing steel decking systems yet providing system connectability and similar loading capabilities.

Various deck sizes, leg styles, stairs and handrails available



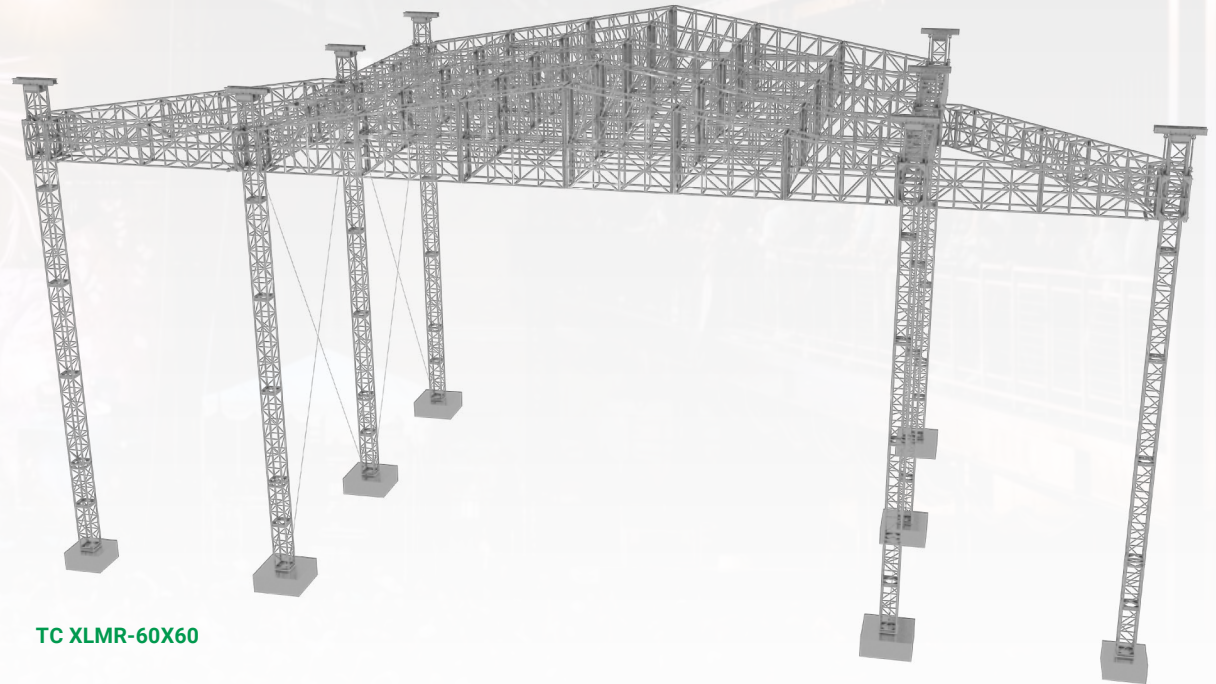
# Crowd Barriers



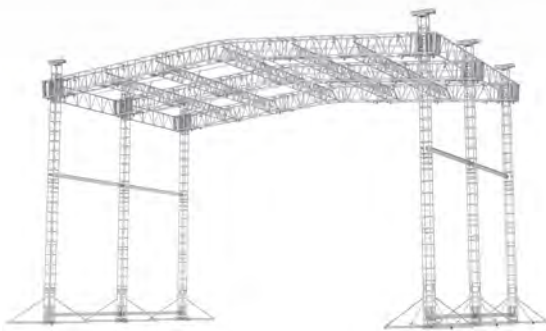
Comprehensive range including corners, carts, truck gates, checkpoints and emergency gates.

# Roof Systems

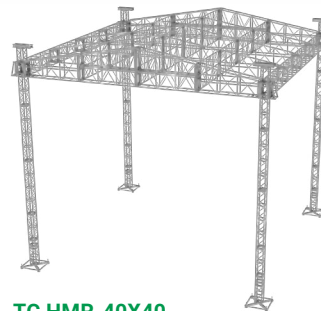
From county fairs to the largest festivals, TOMCAT has the outdoor structures you need. There are many roof systems options available.



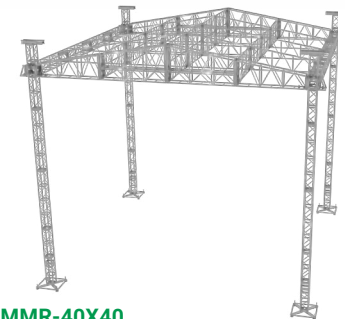
TC XLMR-60X60



TC HMR-60X40



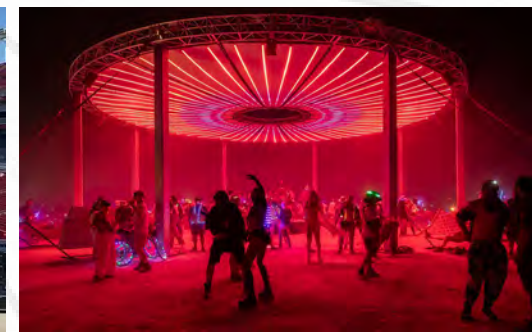
TC HMR-40X40



TC MMR-40X40

# Custom Fabrication

We can take your custom project from concept to reality with complete design, engineering and fabrication capabilities.







# Training

TOMCAT U:  
Truss & Rigging Workshop  
[www.tomcatuniversity.com](http://www.tomcatuniversity.com)

TOMCAT U is an ETCP recognized program



MORE  
INFORMATION





**James Thomas  
Engineering**



**[www.jthomaseng.com](http://www.jthomaseng.com)**

# Truss

Industry founding nut & bolt connection & SuperTruss.

Range of sizes from 12" x 12" to 36" x 36" SuperMega Truss



General Purpose Truss 12 x 12



SuperTruss 20.5 x 20.5



General Purpose Truss 15 x 15



SuperMega Truss 500 x 1000



Milos. Works better.



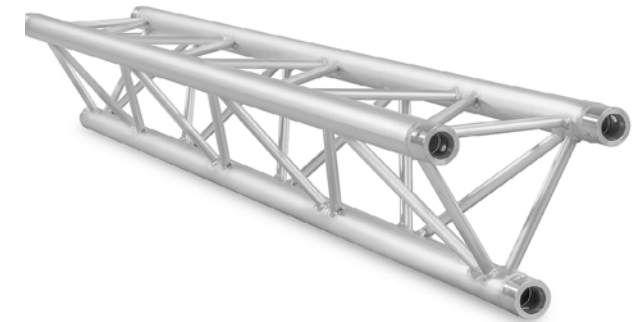
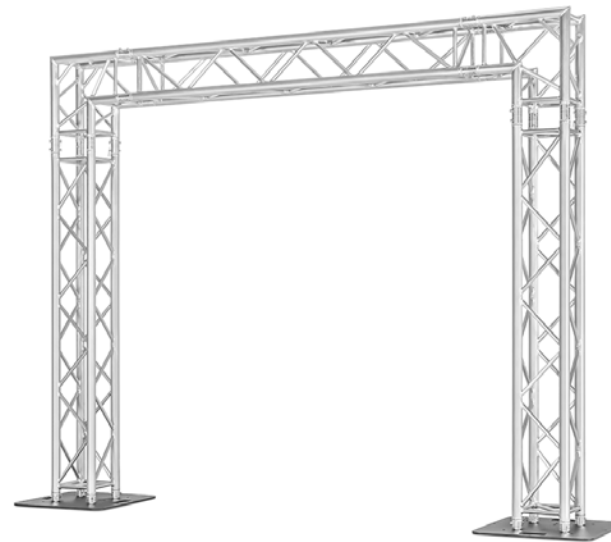
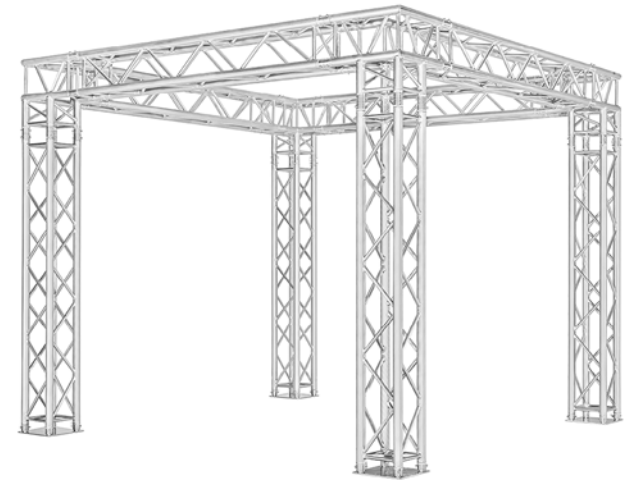
[www.milos-systems.com](http://www.milos-systems.com)

# Truss

Conical connection truss products with industry standard connectability.

---

Wide range of sizes & capacities from M222, M290, and M390 in Duo (ladder), Trio (triangle) and Quatro (box) formats.



# Roofs, LED Screen Support Systems, & PA Towers



MT-PA5030 PA Tower  
(15ft Trim)



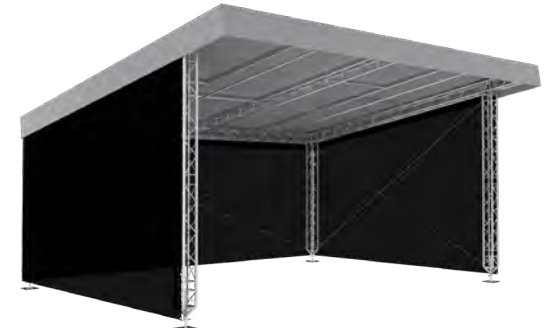
LSG1 Outdoor LED Screen Support Structure  
(up to 6m x 4m Screen Size)



LSG0 Outdoor LED Screen Support Structure  
(up to 6m x 4m Screen Size)



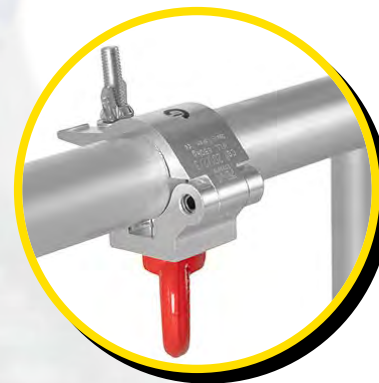
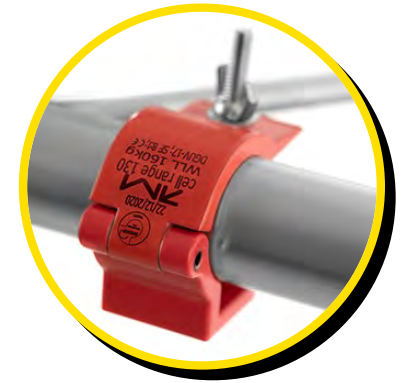
MR1 Arched Outdoor Roof System  
(26' x 20' & 20' x 13' Sizes Available)



MR0 Sloping Outdoor Roof System  
(26' x 20' & 20' x 13' Sizes Available)

# Cell Clamps

Natural aluminum, black anodized and powder coated versions available. Wide range of clamp styles and tube diameter types available from stock.





[www.prolyte.com](http://www.prolyte.com)

# LSU Indoor LED Screen Support System

The Prolyte LSU system will support up to a 6m tall straight or curved LED screen of any width, with the option for the screen to be raised if required.

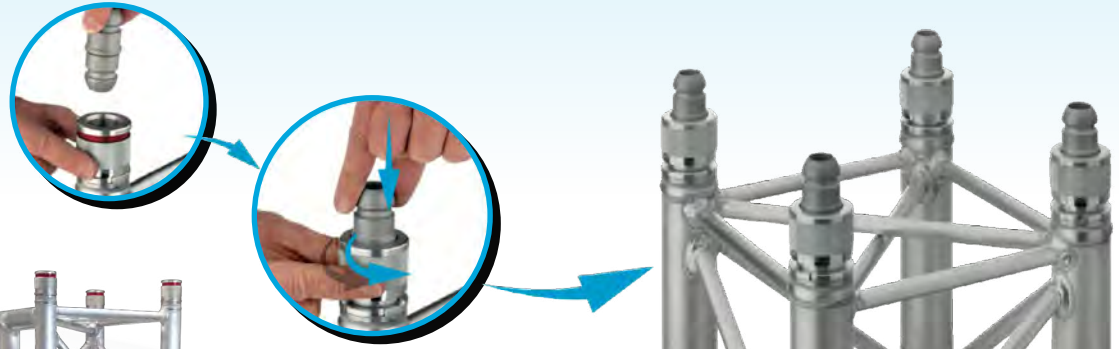


# Verto Truss

The Verto truss is a revolutionary system, making truss connections fast, silent, and safe.

The Verto truss brings a totally new perspective on truss assembly and is described as a game changer in our industry.

Available in imperial and metric lengths.



**A twist on fast performance**

# Verto Truss

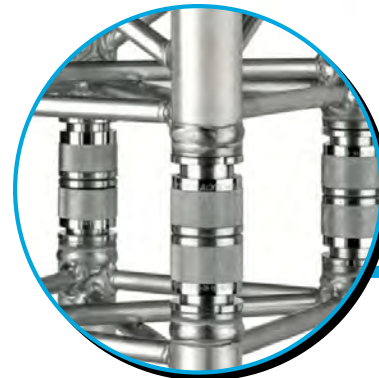
10 x faster assembly time than conventional nut & bolt connection truss.

## Available Sizes

H30V - 289 x 289 mm

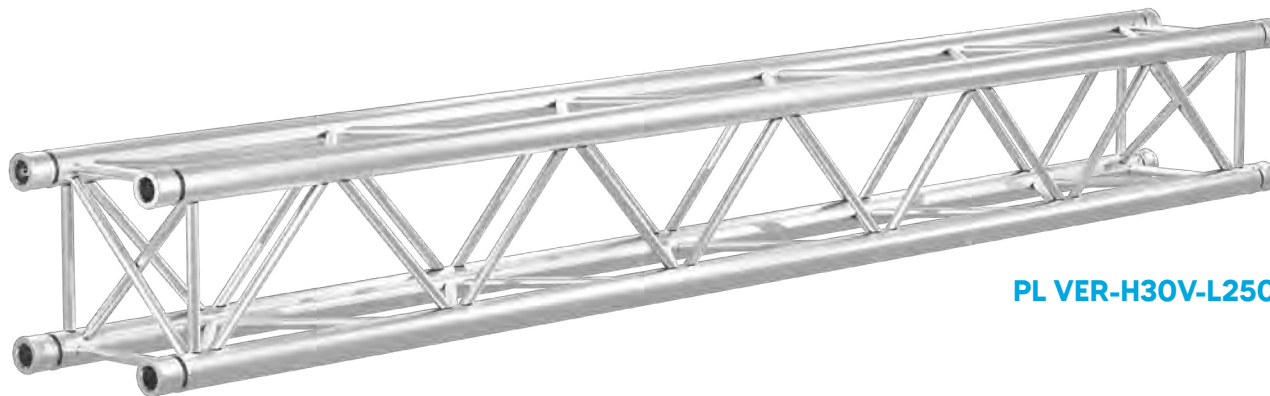
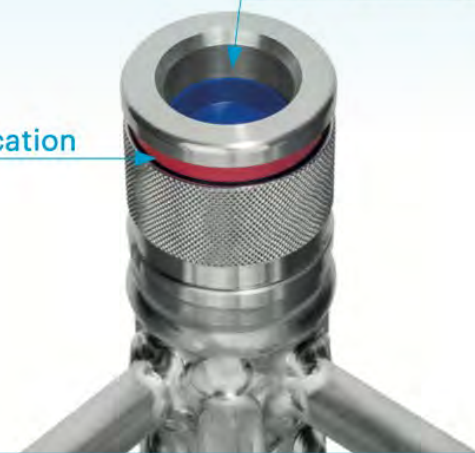
H40V - 389 x 389 mm

H40R - 389 x 289 mm



Safety indication

Incorporated dirt-repellent system



PL VER-H30V-L250

2  
**EX3**

**EX3** ⚡







TECHNOLOGY



[www.exetechnology.com](http://www.exetechnology.com)










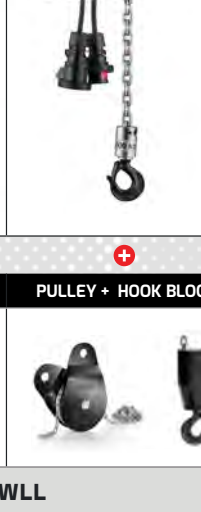
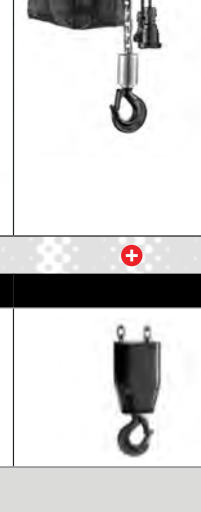
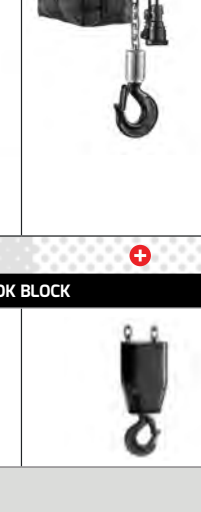






# EXE ACE D8 Electric Chain Hoists

**EXE**  
**ACE**

		MEDIUM FRAME COMPACT	MEDIUM FRAME	LARGE FRAME
		500kg	1000kg	1500kg
DIRECT CONTROL	LOW VOLTAGE CONTROL			
		+	+	+
2 FALL	DC / LVC	DOUBLE REEVE PULLEY		
				
		2x WLL		

# EXE RISE D8+ Electric Chain Hoists

**EXE**  
**RISE**

		SMALL FRAME	SMALL FRAME	MEDIUM FRAME	LARGE FRAME	XL FRAME	XL FRAME
		250kg	350kg	500kg	1000kg	2000kg 1F	2500kg 1F
1 FALL	DIRECT CONTROL						
	LOW VOLTAGE CONTROL						
2 FALL	DC / LVC	DOUBLE REEVE PULLEY		PULLEY + HOOK BLOCK		HOOK BLOCK	
							
		2x WLL					

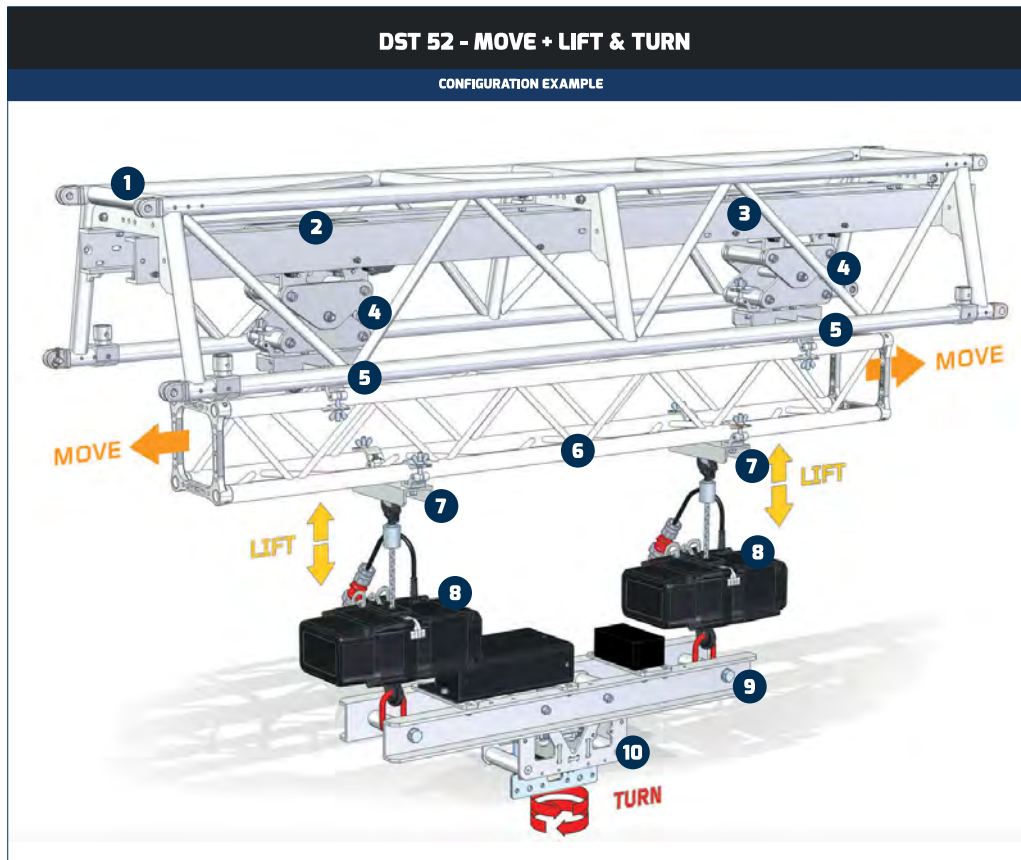
# EXE Flexa Wireless Load Sensing

The EXE Flexa range of load cells provides wireless load monitoring up to 5T in capacity.



# EXE Dynamic Stack Tracks (DST)

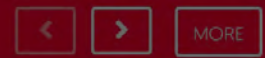
The modular DST System consists of truss sections with an integrated rail system, together with a series of motorized carriage modules that mount inside the truss and travel along the rails.



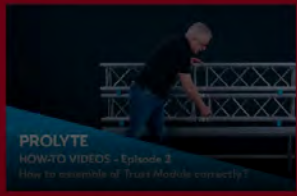
LEGEND - CONFIGURATION MOVE + LIFT & TURN					

- Categories
- Design Basics (3)
  - Educational (32)
  - On-site videos (29)
  - Product basics (73)
  - Rigging basics (25)
  - Uncategorized (2)
  - Velvet Backstage (17)
  - Your videos (6)
  - Commandos

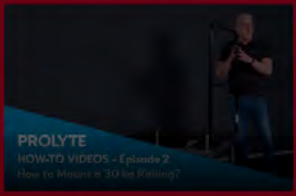
LATEST TRUSSING & RIGGING VIDEOS




**PROLYTE**  
HOW-TO VIDEOS - Episode 4  
What is Verto truss?



**PROLYTE**  
HOW-TO VIDEOS - Episode 2  
How to assemble a Truss Module correctly?



**PROLYTE**  
HOW-TO VIDEOS - Episode 2  
How to Measure a Truss for Rigging?



**PROLYTE**  
HOW-TO VIDEOS - Episode 1  
How to install a truss?



**MILOS**  
INVISIBLE BOSS

Recommended Series



**Basic of Rigging**  
11 Episodes  
MARCH 2, 2022



**Truss Connectors**  
2 Episodes  
AUGUST 20, 2019



**Truss Engineering**  
4 Episodes  
MAY 22, 2019

**A4I.tv** Rigging Trussing Television





**TOMCAT USA, Inc.**  
5427 N. National Dr.  
Knoxville, TN 37914

[www.tomcatglobal.com](http://www.tomcatglobal.com)  
[info@tomcatusa.com](mailto:info@tomcatusa.com)  
**1-800-29-TRUSS**

[www.a4direct.us](http://www.a4direct.us)  
[info@a4i.com](mailto:info@a4i.com)  
**1-800-411-0065**

**West Coast Sales Office & Warehouse**  
950 Lawrence Dr. Suite B  
Thousand Oaks, CA 91320

