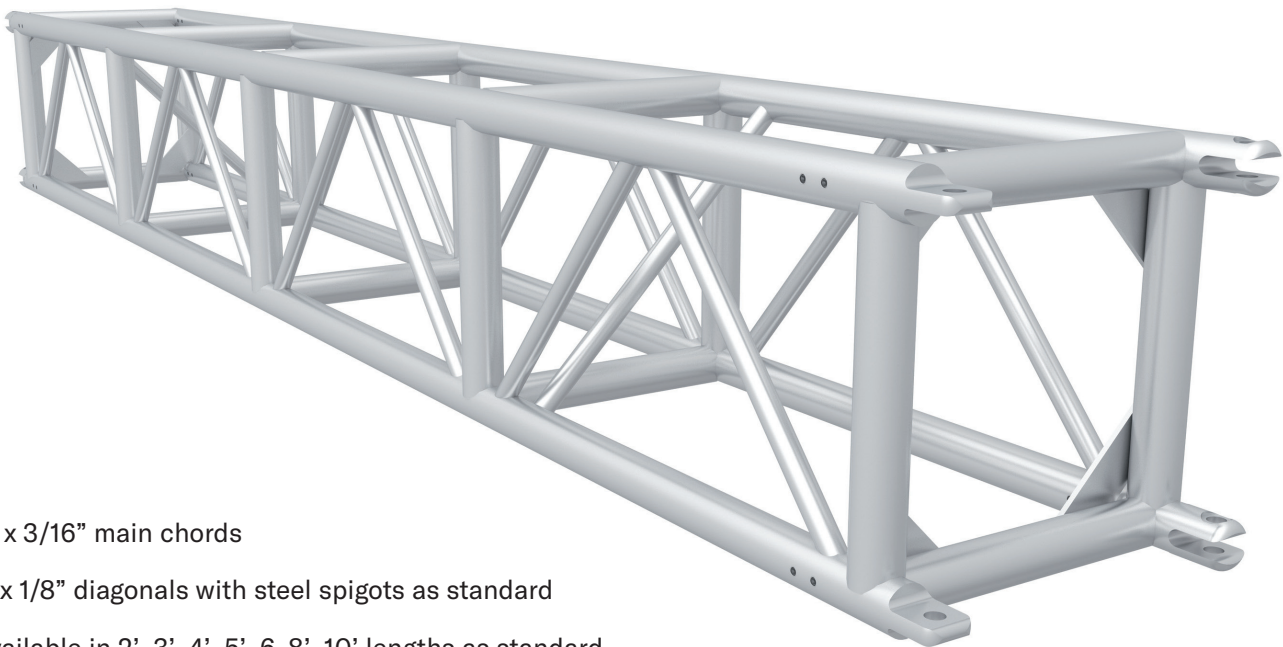


Compact Strength in a new duty category – Middle!

Discover the strength of our 16 x 16 Middle Duty truss, which is a new truck pack friendly truss size that delivers over a 50% increase in load capacity compared to our existing Light Duty 12 x 12 spigoted truss, but in a considerably smaller form factor than our Medium Duty 20.5 x 20.5 truss. In fact, you can fit over twice as many Middle Duty truss sections in the same truck space compared to our 20.5 x 20.5 truss!



- › 2" x 3/16" main chords
- › 1" x 1/8" diagonals with steel spigots as standard
- › Available in 2', 3', 4', 5', 6, 8', 10' lengths as standard
- › Four sides of diagonal braces available upon request
- › 7.5°, 15°, 22.5°, 30°, 45°, 60°, 90° corner gates available
- › Trouble-free assembly is ensured by its unisex fork pattern with vertical pin orientation
- › The use of a gate system, rather than conventional fixed corners, allows for easy corner creation



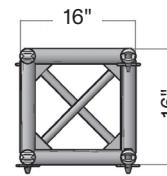
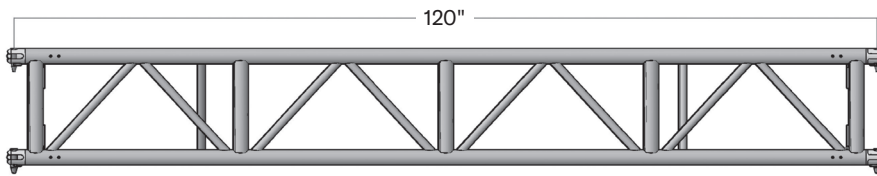
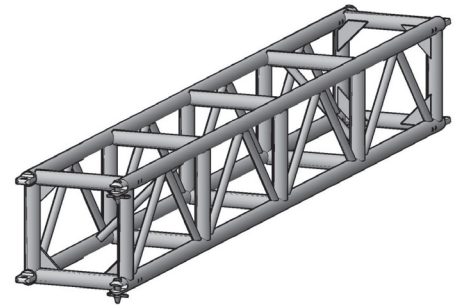
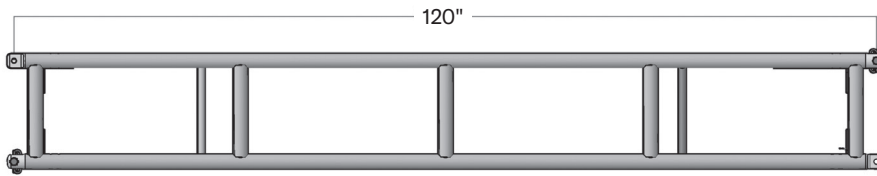
TOMCAT USA, Inc.
5427 N. National Dr.
Knoxville, TN 37914
USA

950 Lawrence Dr., Suite B
Thousand Oaks, CA 91320
USA

T +1 (865) 219-3700
sales@tomcatusa.com
www.tomcatglobal.com



New Middle Duty truss



Span feet	Maximum allowable uniform loads		Maximum allowable point loads							
	Load lbs/ft	Max Defl in.	Center Point Load	Third Point Load	Quarter Point Load	Fifth Point Load	Load lbs	Max Defl. in.	Load lbs	Max Defl. in.
10	872	0.09	4543	0.008	2892	0.09	1928	0.08	1529	0.08
20	347	0.64	2665	0.40	1803	0.46	1202	0.43	970	0.43
30	147	1.44	1809	0.98	1258	1.14	839	1.08	683	1.09
40	77	2.56	1301	1.83	920	2.15	613	2.03	502	2.06
50	36	3.33	955	2.98	648	3.33	455	3.29	370	3.33



TOMCAT USA, Inc.
5427 N. National Dr.
Knoxville, TN 37914
USA

950 Lawrence Dr., Suite B
Thousand Oaks, CA 91320
USA

T +1 (865) 219-3700
sales@tomcatusa.com
www.tomcatglobal.com

